

## 43 / 44 / 14 Compression Latches

Self-adjusting · Three hole mount

### Features

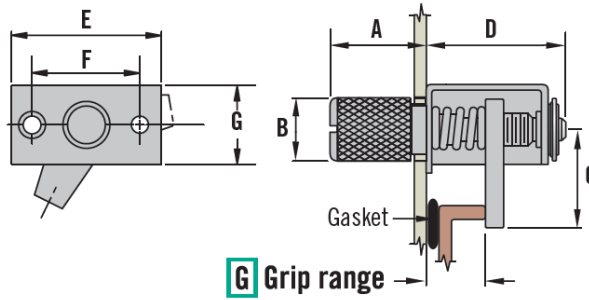
- Three sizes available
- Three hole installation
- Easy grip adjustment

### Material

- Steel, zinc plated or stainless steel

### Product Performance

- Maximum static load:
  - 43 Small: 330 N
  - 44 Medium: 490 N
  - 14 Large: 670 N



Size	A	B	C	D	E	F	G
43 Small	15.1 (.59)	8.9 (.35)	15.9 (.63)	22.2 (.88)	28.6 (1.13)	20.6 (.81)	13.9 (.55)
44 Medium	23.8 (.94)	14.6 (.57)	25.4 (1.0)	32.1 (1.27)	44.5 (1.75)	31.8 (1.25)	22.2 (.88)
14 Large	28.6 (1.13)	22.7 (.90)	34 (1.34)	44.5 (1.75)	63.5 (2.5)	47.6 (1.87)	33.3 (1.31)

### 43 · Small size series

Material	G Grip Range		Knurled Head	Slotted Head
	Minimum	Maximum		
Steel	3.2 (.12)	7.1 (.28)	43-1-4-0	43-1-13-0
	6.4 (.25)	13.5 (.53)	43-1-5-0	43-1-14-0
	12.7 (.50)	19.8 (.78)	43-1-6-0	43-1-15-0

### 44 · Medium size series

Material	G Grip Range		Knurled Head	Slotted Head
	Minimum	Maximum		
Steel	3.2 (.12)	9.5 (.37)	44-1-1-0	44-1-16-0
	9.5 (.37)	19.1 (.75)	44-1-2-0	44-1-17-0
	19.1 (.75)	28.6 (1.12)	44-1-3-0	44-1-18-0
Stainless steel	3.2 (.12)	9.5 (.37)	44-1-1-24	44-1-16-24
	9.5 (.37)	19.1 (.75)	44-1-2-24	44-1-17-24
	19.1 (.75)	28.6 (1.12)	44-1-3-24	44-1-18-24

Also available: Tool recess, Slotted, Hex recess

### 14 · Large size series

Material	G Grip Range		Knurled Head	Slotted Head
	Minimum	Maximum		
Steel	3.2 (.13)	19 (.75)	14-10-11-11	14-10-71-11
	9.5 (.38)	31.8 (1.25)	14-10-13-11	14-10-73-11
	22.2 (.88)	42.9 (1.69)	14-10-14-11	14-10-74-11